



RAMetals

SPECIFICATION DATA SHEET

DATE: _____
PREPARED BY: _____

DRIVE CLEATS
STANDARD MODEL

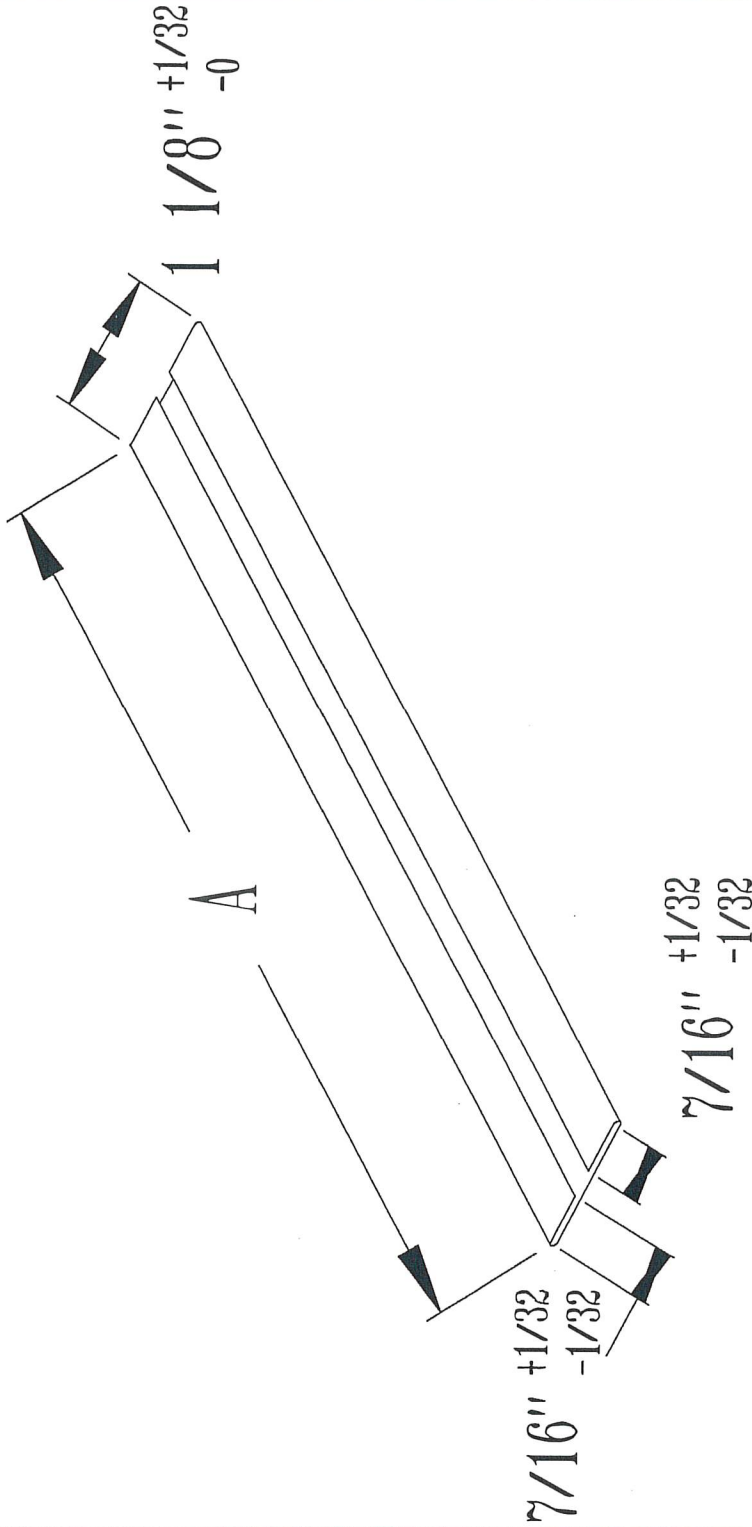
DIMENSIONS

SIZE	A
8"	10"
10"	12"
12"	14"
14"	16"
18"	18"
20"	20"
22"	22"
24"	24"
26"	26"
28"	28"
30"	30"
36"	36"
48"	48"
60"	60"

MATERIAL SPECIFICATIONS

HOT DIPPED GALVANIZED STEEL.
PER ASTM A 653 CSB.

24ga, 26ga, 28ga AVAILABLE



OPTIONS

JOB: _____
 LOCATION: _____
 CONTRACTOR: _____
 ENGINEER: _____
 NOTES: _____