

SPECIFICATIONS

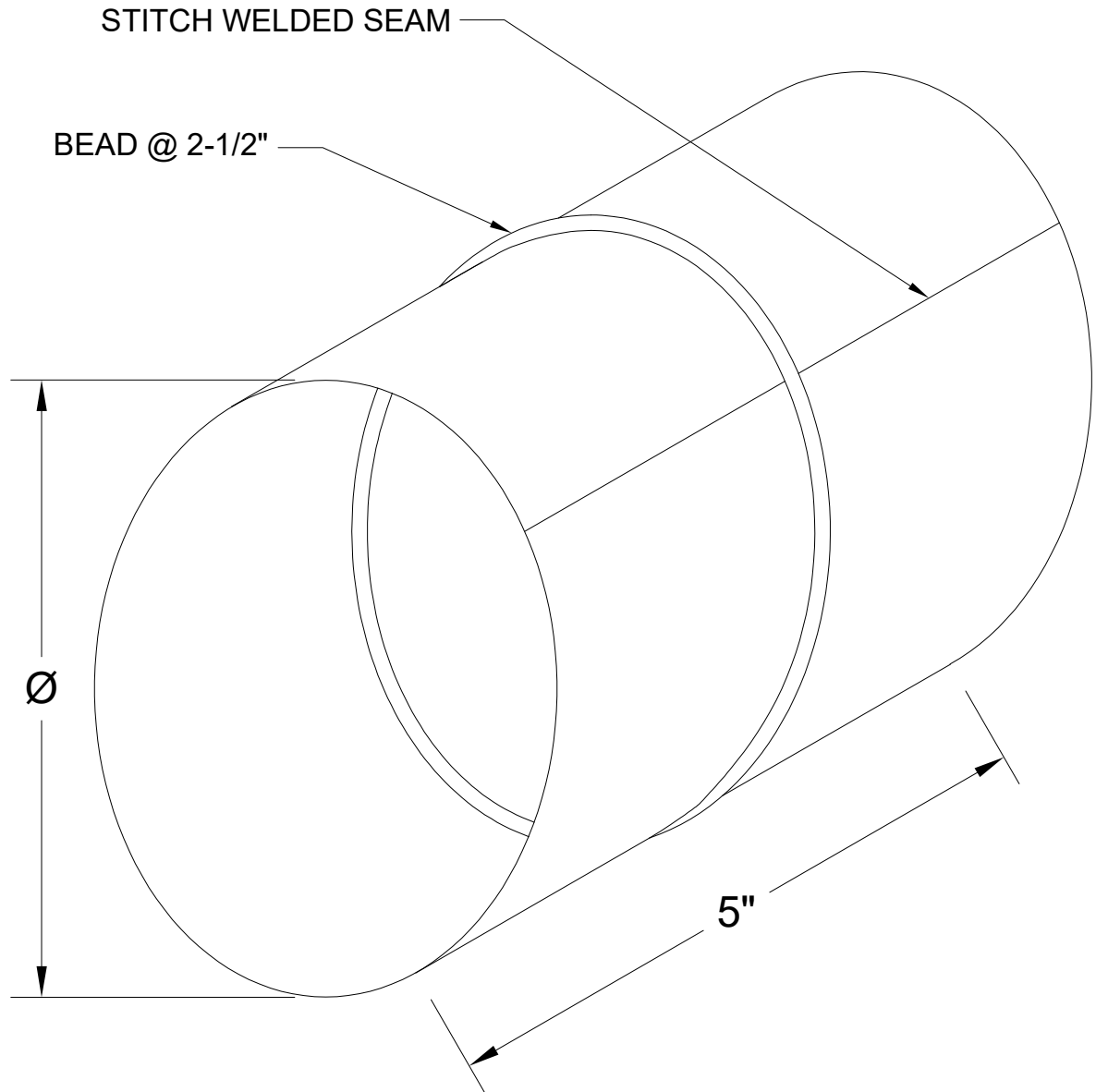
- GALVANIZED STEEL
- STANDARD 5" LENGTH
- STITCH WELDED SEAM

SIZES

METAL GAUGE

4" TO 36" Ø

24GA



SMALL SPIRAL PRODUCED TO SMACNA STANDARDS. CONSULT SMACNA DUCT CONSTRUCTION MANUAL FOR CORRECT GAUGE FOR YOUR APPLICATION.



Customer:		Subject:	
Contact:			
Job Name:			
Estimate #:			

Galvanized Spiral Coupling

DWG: RSE	N.T.S.	Not for Shop Drawings	Date:		Drawing: 1	Revision: 1
----------	--------	-----------------------	-------	--	------------	-------------