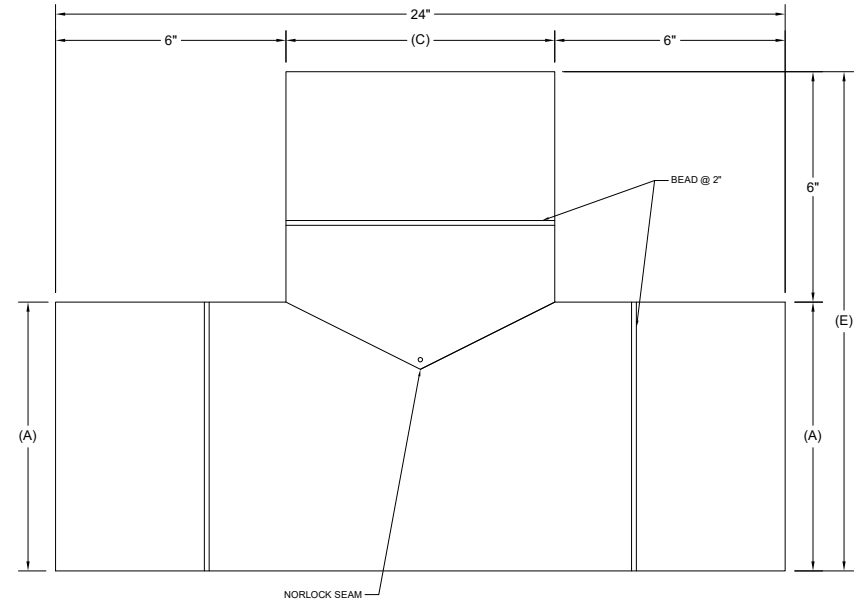
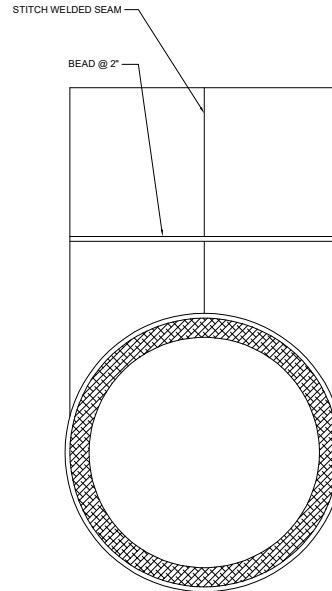
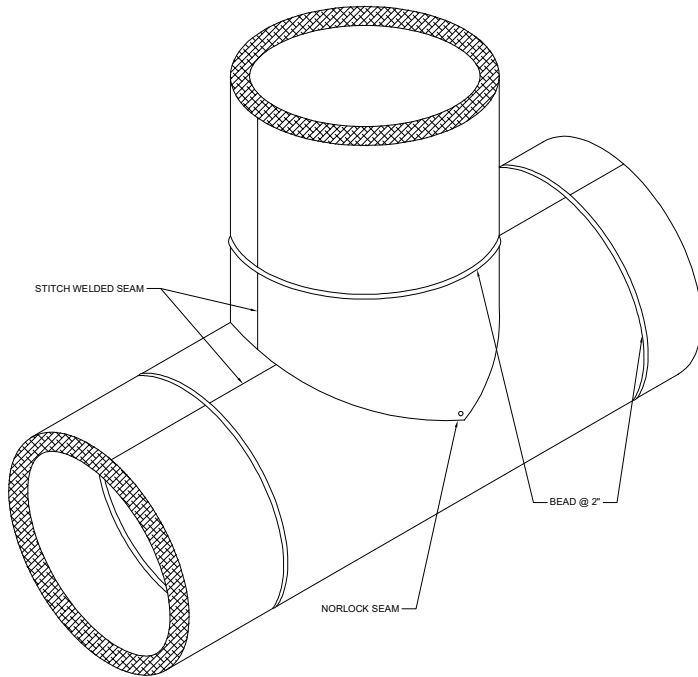
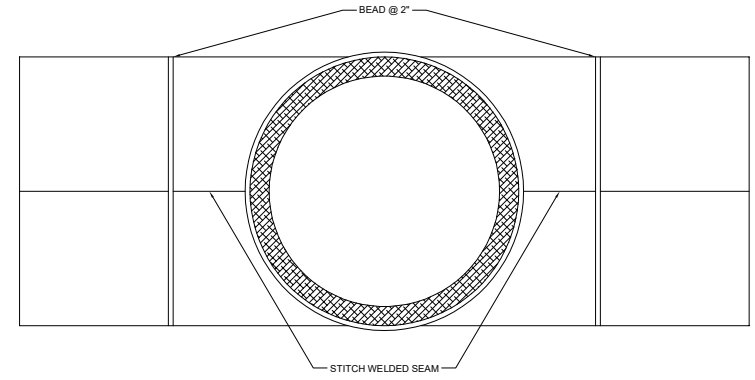


# SPECIFICATIONS

- HOT DIPPED GALVANIZED STEEL PER ASTM A 653 CSB
- SEAMS STITCH WELDED
- 1" SOUND INSULATION (YELLOW FIBERGLASS SG100115)
- 24GA SOLID INNER WALL

SIZE	OUTER WALL GAUGE
4" TO 8"	26GA
9" TO 24"	24GA
25" TO 36"	22GA



SPIRAL PRODUCED TO SMACNA STANDARDS. CONSULT SMACNA DUCT CONSTRUCTION MANUAL FOR CORRECT GAUGE FOR YOUR APPLICATION.



Customer:		Subject:	
Contact:			
Job Name:			
Estimate #:			

Galvanized Double Wall Spiral Tee

DWG: RSE	N.T.S.	Not for Shop Drawings	Date:		Drawing: 1	Revision: 0
----------	--------	-----------------------	-------	--	------------	-------------